

# *Remote Air Cooled Condenser for Temperature & Humidity Control Room*

## ENERCOV PVR Series,

Designed for room environment controls such as humidity, temperature, supply air dewpoint and the other parameters as per your specified. ENERCOV PVR series are very flexible to design wide range of saturated suction temperature (SST) and saturated condensing temperature (SCT). This capability means lower sensible heat ratio controllable and selectable based on each application and providing supply air dewpoint from your air handling unit minimum to 8°C at various supply air dry bulb temperature.

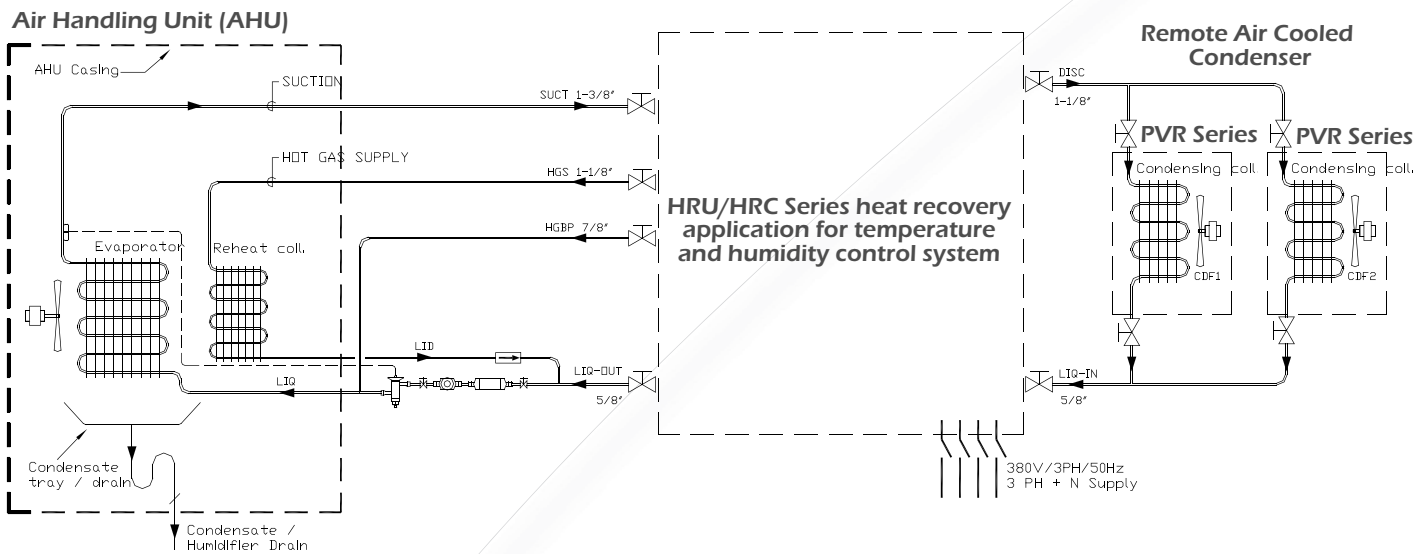


## **PVR Series**

Remote air cooled condensing  
heat rejection range 19 - 41 kW

*Total solution to create the perfect climate controls for HVAC application*

*[www.enercov.com](http://www.enercov.com)*



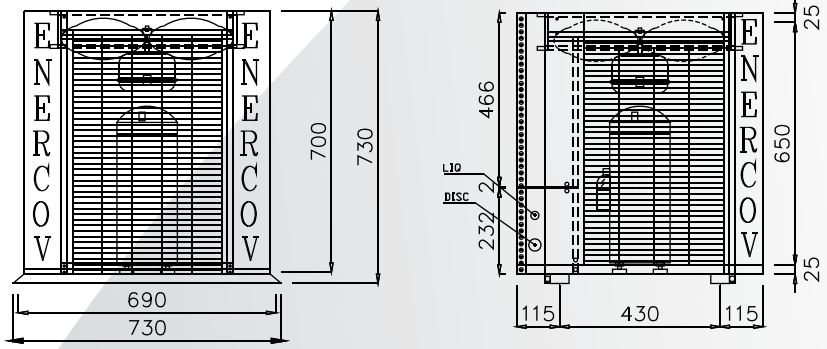
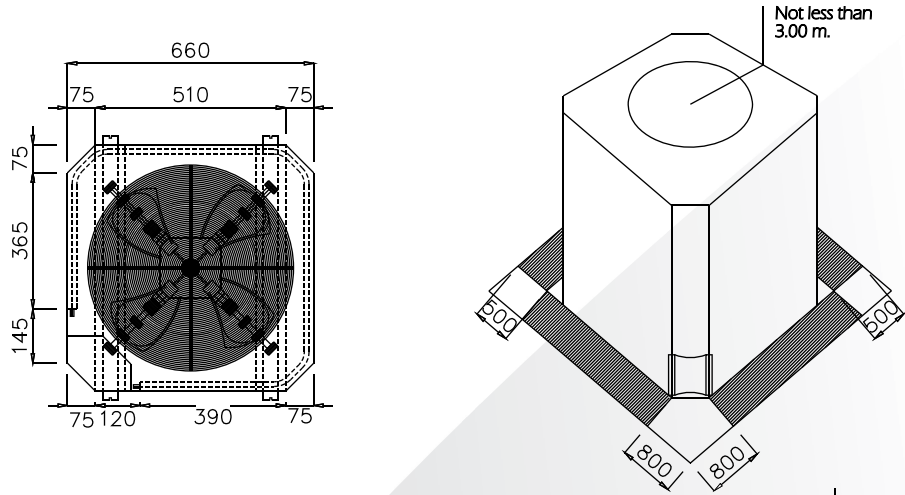
**Sample Application**  
(Pipe sizing is not for all models.)

**General Specification**

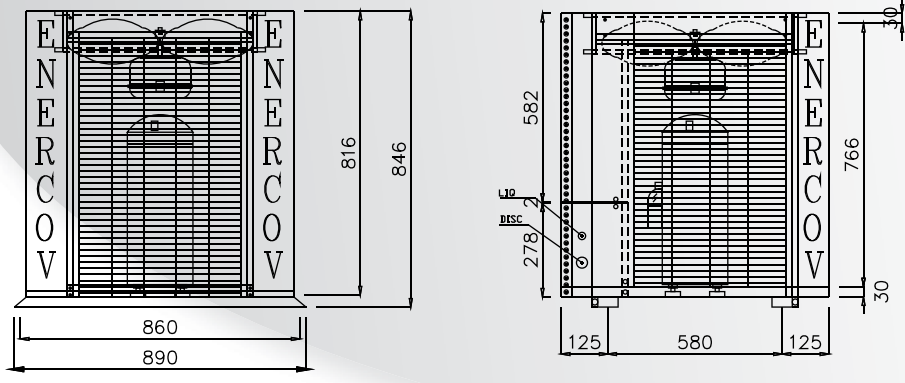
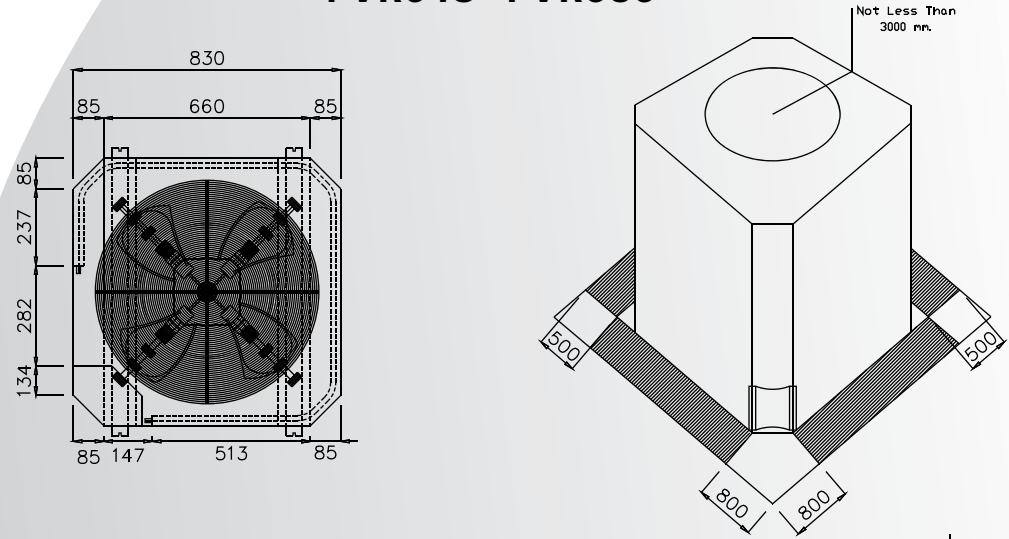
Air Cooled Remote Condenser		Unit	PVR048	PVR060	PVR080	PVR100
Heat rejection capacity		kW	18.97	23.80	32.87	41.27
		Btu/hr	64,700	81,000	112,200	141,000
Power source		V/Ph/Hz	220/1/50			
Refrigerant		-	R-22			
Condenser Coil	Type	-	Plate fin bonded with plain or inner groove copper tubes			
	No. of circuit	-	1			
	Face area	sq.m	1.35	1.33	1.82	1.82
	No. or row(s)	-	1	2	2	2
	Fins per inch	-	14	14	14	14
No. of refrigerant circuit(s)		-	1			
CDU Fan	Type	-	Propeller Fan Direct Drive			
	Quantity	-	1			
	Diameter	Inch	20		24	
	Air flow	CMH	6,000		8,500	
Fan motor	Type	-	Permanent split capacitor			
	Power source	V/Ph/Hz	220/1/50			
	Quantity	-	1			
	Power output	HP	1/8		1/3	
	Speed	RPM	885		900	
	Full load amps	FLA	0.72		1.97	
Dimension in mm.	Height		660		830	
	Width		660		830	
	Dept		730		846	
Approx. net weight	kg	35		45		
Pipe conn.	LIQ	inch	1/2	1/2	5/8	5/8
	DISC	inch	5/8	5/8	7/8	7/8

**Note :** - CU pipe connections are recommended for <10 m distance between HRU and AHU.  
- Heat reject capacity based on saturated condensing temperature (SCT) 54.4°C and saturated suction temperature (SST) 7.2°C.

## Dimension and Installation Guide



### PVR048 - PVR060



### PVR080 - PVR100



# Psychrometric Chart

Barometer 101.325 kPa

